

# OPENCLASSROOM™

Bringing the power of Open Source to Education.

The latest information and coverage of Linux and Open Source software for the educational market. © 2000 www.OpenClassroom.org

## About OpenClassroom™

OpenClassroom is a South Florida-based Internet start-up that offers schools worldwide a complete Linux-based free alternative to expensive commercial software.

OpenClassroom's package of software allows schools to create a community of knowledge by connecting existing PCs (old or new) into a local network (LAN), and to the Internet.

Schools are under severe budgetary pressure to educate more students with less resources to do so. Commercial software vendors charge high usage fees for their software. OpenClassroom gives schools a free, customizable, flexible alternative.

Linux has brought power to software developers worldwide. OpenClassroom brings the power of Linux to schools, in a simple package, with clear manuals.

The software and manuals for the preliminary version are freely available at

OpenClassroom's website ([www.openclassroom.org](http://www.openclassroom.org)).

### "Digital Press"

At a time of growing media monopolization, the OpenClassroom software allows schools to own and operate their own "digital printing press." Schools can run web servers, e-commerce sites, mailing lists, even an Internet radio station. OpenClassroom lowers the cost of entry into the media industry by allowing schools, for free, to become digital publishers and knowledge distributors.

### Call us today

OpenClassroom offers a cost-effective, flexible, state-of-the-art solution that gives you the power to tailor our software to your specific needs without licensing fees.

Please contact Jose C. Lascal, Chief Vision Officer, at (305)751-6817 for more details and a free demonstration. Thank you for reading.

## Features of an OpenClassroom network

The network diagram below shows a sample of an OpenClassroom network.

### Functionality

The OpenClassroom software will include all the components needed for a full, web-based course development, deployment, and management system. Also included will be these features:

- Secure Intranet server
- Filtered Internet access

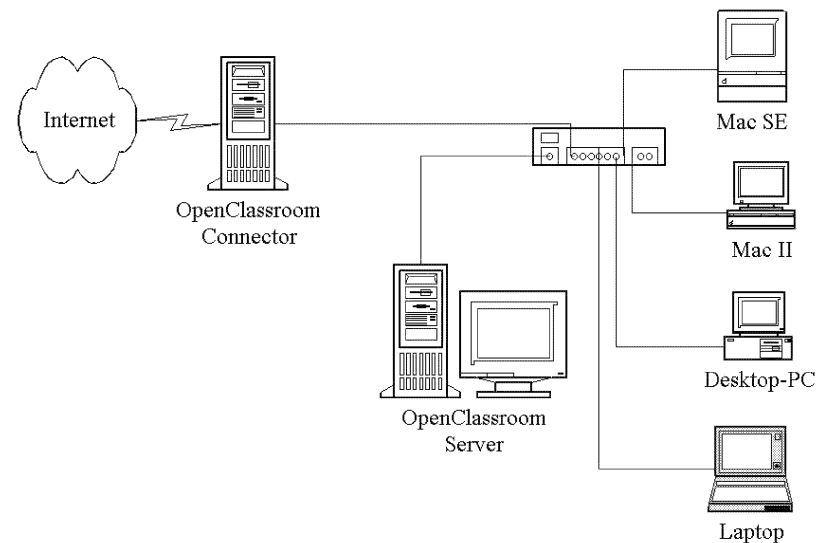
- School administration
- File and print sharing
- Multimedia streaming server ("Internet radio, TV station")
- Centralized database
- E-mail server, mailing lists
- Productivity software (office suites, application)
- Software development
- TCP/IP, SMB and AppleTalk networking protocols
- Team collaboration, remote learning environment

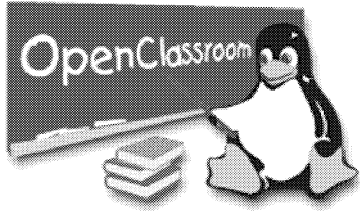
### Multiple clients

PCs running DOS, Windows 3.x, Windows 95 to NT or Macs can access files in the OpenClassroom server.

### Extend PCs' life

Schools are forced to upgrade to new equipment to run the latest commercial operating systems (Windows 98, NT). Using OpenClassroom's solution, schools can continue to utilize their existing, paid-for PCs.





# FREE SOFTWARE FOR SCHOOLS

Contact us at (305) 751-6817 for a free demo.

## About Linux, Open Source

Software programs are written in programming languages (such as Basic, C, Java, etc.). Each program is a text file with instructions on how to perform a particular task. Those files ("source code") are then processed with a "compiler" to create the programs a PC runs.

Commercial software is not sold with its source code. Users can not modify those programs to fit their needs, and they must also pay a license fee for each copy of the program they wish to use.

"Open Source" software is distributed along with its source code. Users are able to modify the software to fit their needs, and to use as many copies of this software as they wish, with no license fees. Linux is a popular example of Open Source software.

## How to Reach us

OpenClassroom™  
99 NE 103rd Street  
Miami, FL 33138 USA  
(305) 751-6817

www.OpenClassroom.org  
Jose.Lacal@OpenClassroom.org  
Chief Vision Officer

## Who Needs OpenClassroom?

### The requirement

Educational institutions and governments worldwide must offer their constituents access to current ICT (Information and Communication Technology) in order to make education and governance relevant in today's Digital Economy.

### The problem

The relentlessly escalating costs of keeping ICT up to date in the face of ever-

dwindling educational budgets and ever-growing student populations. These issues are specially critical in both inner cities and LDC (Less Developed Countries).

### Our solution

The OpenClassroom solution harnesses the Open Source community and its resources to address the challenge via state-of-the-art, license-free, fully customizable software.

## Looking for Financial Support

OpenClassroom™ is currently looking for sources of long-term financial support. We are open to consider:

- grants
- direct investment
- consulting arrangements

### More details

Please contact Jose C. Lacal, Chief Vision Officer, at (305)751-6817 for specific details on OpenClassroom's innovative business model. Thank you for your support.

## The Importance of Source Code

It might not be clear why OpenClassroom considers access to the source code as an important benefit of our solution. Consider this:

### Becoming involved

Having the source code not only empowers students and users alike to use software. It actually empowers them to better understand and become involved in the software development process itself.

Even if they never became anything like a hacker guru, their professional future will be much better than cooking burgers for a job.

### Speed of Education

An additional benefit of Open Source software is the increase in the speed of education. Students will avoid reinventing the wheel several times, and they can also study that wheel and learn

how it works for themselves. Students can eventually build better, faster, smoother-running wheels by sharing the resultant technological growth with other students worldwide.

The very nature of the Open Source movement allows students everywhere to enter the software arena without a heavy initial investment in software tools (they are free).

### Not just better

Having the source code available doesn't just mean students will have better software than Microsoft's. It means students will understand software development and usage better.

Open Source software is the best way for students worldwide to claim a share of the future. Knowledge is power. OpenClassroom gives students the power.

## The OpenClassroom philosophy:

To bring the revolutionary power and global reach of the Internet; the cost-effective, high-quality technology of the Open Source community; and the transparency of open information standards; affordably, to the global educational community.